



316L Stainless Steel Pipes & Double Press Fitting

Modern buildings and especially high rise buildings require a plumbing system that is capable to operate at a higher water pressure and a higher water flow rate, has a lower installation and maintenance costs and hence a lower life cycle cost as well as higher in mechanical strength throughout its life.

Stainless Steel piping system was adapted in the western countries some 40 years ago and have been proven to be a clean and durable solution for drinking water transport.

Tachibana Engineering (HK) Ltd.



Tel: 2403 4898



WhatsApp: 9318 1388



Fax: 2403 4000



E-mail: info@te.com.hk



Unit C, 6/F, Reason Group Tower, 403 Castle Peak Road, Kwai Chung, N.T., Hong Kong

TESS Stainless Steel 316L Pipe Fittings are designed to work with the Stainless Steel 316L Pipes. The jointing method used is the proven Press Fit technology. Its Double Press design further ensure a secured joint. The result is a neat and strong installation.

Material used: **SS316L**

- >2.3% Molybdenum for extra prevention against corrosion;
- <0.003% carbon to ensure high quality jointing of the tube.

Complying Standard: **AS3688:2016**

To be used with Stainless Steel Pipes complying with Standards:
BSEN10312:2002 + A1:2005,
BSEN10217-7:2014 (for sizes >50mm diameter)

Manufacturer: Zhejiang Franta Co., Ltd.

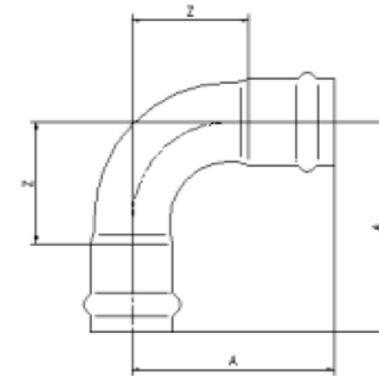
Country of Origin : China

Tachibana Engineering (HK) Ltd.

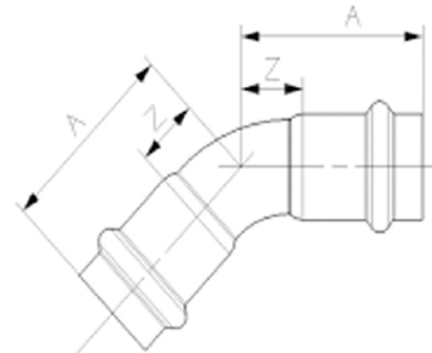
Unit C, 6/F, Reason Group Tower, 403 Castle Peak Road, Kwai Chung, N.T. Hong Kong

Tel: 2403 4898 Fax: 2403 4000 E-mail : info@te.com.hk

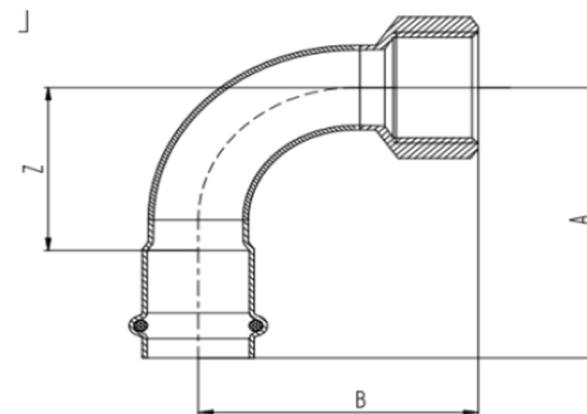
Type	DN(mm)	Model No.	Body Marking	A (mm)	Z(1) (mm)	Z2 (mm)	B (mm)
90° Elbow	15	90FFE15	TESS(DN)SS316L	46	24		
	18	90FFE18		52	28		
	22	90FFE22		58	32		
	28	90FFE28		74	47		
	35	90FFE35		96	60		
	42	90FFE42		126	81		
	54	90FFE54		156	102		
	76.1	90FFE76		195	133		
	88.9	90FFE88		228	162		
	108	90FFE108		249	174		



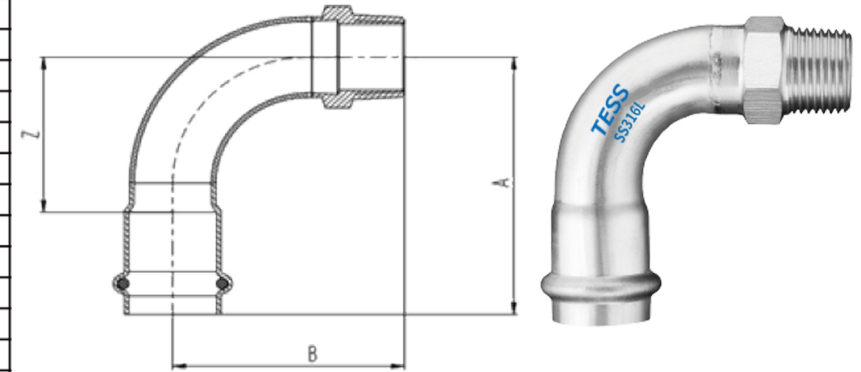
Type	DN(mm)	Model No.	Body Marking	A (mm)	Z(1) (mm)	Z2 (mm)	B (mm)
45° Elbow	15	45FFE15	TESS(DN)SS316L	37	15		
	18	45FFE18		39	15		
	22	45FFE22		42	17		
	28	45FFE28		50	21		
	35	45FFE35		65	31		
	42	45FFE42		83	38		
	54	45FFE54		100	45		
	76.1	45FFE76		113	52		
	88.9	45FFE88		123	54		
	108	45FFE108		144	67		



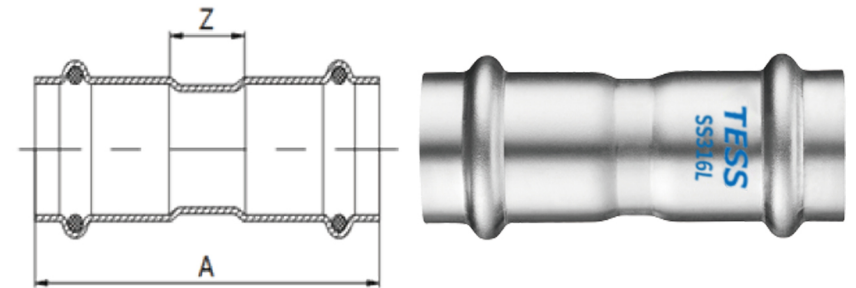
Type	DN(mm)	Model No.	Body Marking	A (mm)	Z(1) (mm)	Z2 (mm)	B (mm)
Female 90° Elbow	15 x 1/2"	AEF1512	TESS(DN) x (Inch)SS316L	47	26		42
	18 x 1/2"	AEF1812		59	33		48
	22 x 1/2"	AEF2212		63	37		54
	22 x 3/4"	AEF2234		62	41		60
	28 x 1/2"	AEF2812		79	49		69
	28 x 3/4"	AEF2834		81	51		68
	28 x 1"	AEF281		80	52		69
	35 x 1/2"	AEF3512		97	61		93
	35 x 3/4"	AEF3534		98	61		99
	35 x 1"	AEF351		99	62		79
	35 x 1-1/4"	AEF35114		98	61		84
	42 x 1/2"	AEF4212		125	79		120
	42 x 3/4"	AEF4234		125	79		128
	42 x 1"	AEF421		125	80		112
	42 x 1-1/4"	AEF42114		128	82		103
	42 x 1-1/2"	AEF42112		126	80		105
	54 x 1/2"	AEF5412		159	103		152
	54 x 3/4"	AEF5434		161	106		155
	54 x 1"	AEF541		160	105		145
	54 x 1-1/4"	AEF54114		160	106		143
	54 x 1-1/2"	AEF54112		160	105		136
	54 x 2"	AEF542		160	105		136
	76.1x 2-1/2"	AEF76212		195	135		156
88.9 x 3"	AEF883	230	161		191		
108 x 4"	AEF1084	250	175		220		



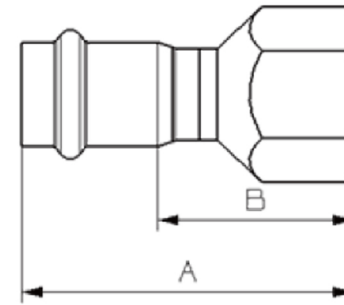
Type	DN(mm)	Model No.	Body Marking	A (mm)	Z(1) (mm)	Z2 (mm)	B (mm)
Male 90° Elbow	15 x 1/2"	AEM1512	TESS(DN) x (Inch)SS316L	46	23		46
	18 x 1/2"	AEM1812		60	33		60
	22 x 1/2"	AEM2212		65	39		59
	22 x 3/4"	AEM2234		63	37		60
	28 x 1/2"	AEM2812		73	41		72
	28 x 3/4"	AEM2834		79	50		75
	28 x 1"	AEM281		82	51		74
	35 x 1/2"	AEM3512		97	59		98
	35 x 3/4"	AEM3534		97	61		97
	35 x 1"	AEM351		96	60		87
	35 x 1-1/4"	AEM35114		98	60		87
	42 x 1/2"	AEM4212		125	79		127
	42 x 3/4"	AEM4234		126	80		129
	42 x 1"	AEM421		127	80		118
	42 x 1-1/4"	AEM42114		126	79		110
	42 x 1-1/2"	AEM42112		127	82		110
	54 x 1/2"	AEM5412		159	103		151
	54 x 3/4"	AEM5434		159	104		153
	54 x 1"	AEM541		157	102		152
	54 x 1-1/4"	AEM54114		160	105		151
54 x 1-1/2"	AEM54112	160	103		144		
54 x 2"	AEM542	159	105		141		



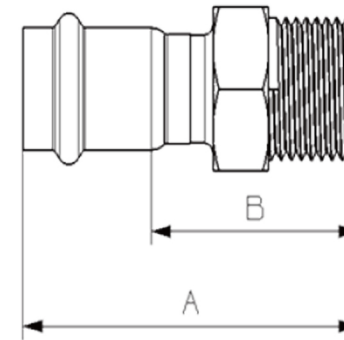
Type	DN(mm)	Model No.	Body Marking	A (mm)	Z(1) (mm)	Z2 (mm)	B (mm)
Coupler	15	C15	TESS(DN)SS316L	53	7		
	18	C18		68	22		
	22	C22		64	18		
	28	C28		80	18		
	35	C35		93.02	20.21		
	42	C42		113.85	27		
	54	C54		131.57	24		
	76.1	C76		157	39.1		
	88.9	C88		161	24.99		
	108	C108		188.35	26		



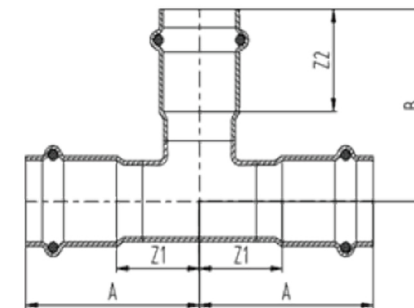
Type	DN(mm)	Model No.	Body Marking	A (mm)	Z(1) (mm)	Z2 (mm)	B (mm)
Female Coupler	15 x 1/2"	ASF1512	TESS(DN) x (Inch)SS316L	49			26.5
	22 x 3/4"	ASF2234		56.5			32.5
	28 x 1"	ASF281		62			32
	35 x 1-1/4"	ASF35114		75.2			40.12
	42 x 1-1/2"	ASF42112		84.7			39.89
	54 x 2"	ASF542		101			46
	76.1x 2-1/2"	ASF76212		108.5			51.5
	88.9 x 3"	ASF883		120.5			51.5
108 x 4"	ASF1084	145.5			63.5		



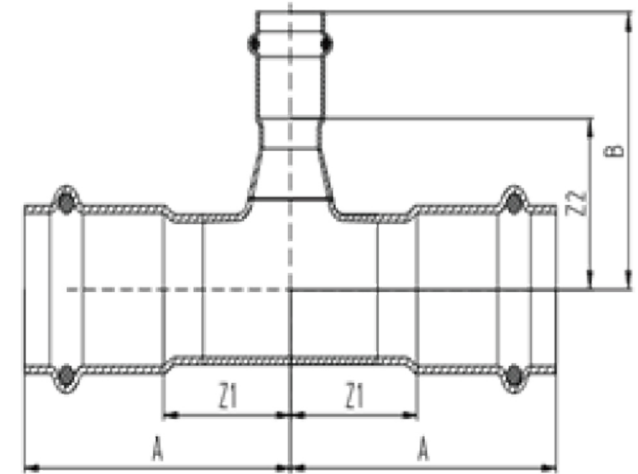
Type	DN(mm)	Model No.	Body Marking	A (mm)	Z(1) (mm)	Z2 (mm)	B (mm)
Male Coupler	15 x 1/2"	ASM1512	TESS(DN) x (Inch)SS316L	51.5			30
	22 x 3/4"	ASM2234		55.9			32
	28 x 1"	ASM281		68			37.4
	35 x 1-1/4"	ASM35114		78.74			43.9
	42 x 1-1/2"	ASM42112		92			47
	54 x 2"	ASM542		107.5			54
	76.1x 2-1/2"	ASM76212		124.5			66.5
	88.9 x 3"	ASM883		131.5			62
108 x 4"	ASM1084	150			65.5		



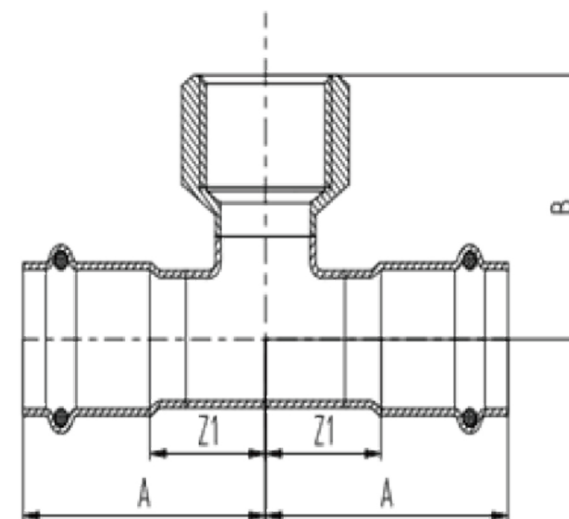
Type	DN(mm)	Model No.	Body Marking	A (mm)	Z(1) (mm)	Z2 (mm)	B (mm)
Equal Tee	15	T15	TESS(DN)SS316L	40.5	17.5	22	36
	18	T18		40.7	14.1	21.6	48.65
	22	T22		45.55	21.3	22.36	52.6
	28	T28		55.3	26.95	29	55
	35	T35		67.54	31.13	35.91	63.8
	42	T42		82.92	38.11	44.81	78.3
	54	T54		97	43.5	53.5	96
	76.1	T76		117	56	59	116
	88.9	T88		130.5	60.5	68	129
	108	T108		152	70	79.5	153



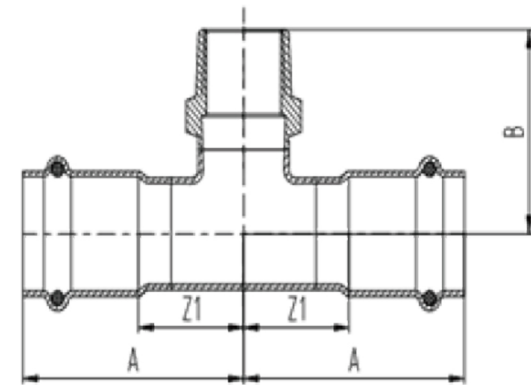
Type	DN(mm)	Model No.	Body Marking	A (mm)	Z(1) (mm)	Z2 (mm)	B (mm)
Reducing Tee	18 x 15	RT1815	TESS(DN) x (DN)SS316L	40	18	14	37
	22 x 15	RT2215		44	20	16	39
	22 x 18	RT2218		47	21	24	43
	28 x 15	RT2815		56.25	28	23	46
	28 x 18	RT2818		58	28	21	55.15
	28 x 22	RT2822		55.85	26	21	57
	35 x 15	RT3515		67.5	31.5	27	50
	35 x 18	RT3518		67.2	31	21	52.3
	35 x 22	RT3522		67.54	31.135	33.01	58
	35 x 28	RT3528		66.54	32	39.36	68.7
	42 x 18	RT4218		82.925	38.11	34	60
	42 x 22	RT4222		83.5	38.11	34.41	60.3
	42 x 28	RT4228		83.6	40	44.45	74
	42 x 35	RT4235		85	40.5	40	75
	54 x 18	RT5418		97	44	45.5	67
	54 x 22	RT5422		100	45	45	68
	54 x 28	RT5428		98	45	48	79
	54 x 35	RT5435		97	44	46	82
	54 x 42	RT5442		99	46	50	99
	76.1 x 18	RT7618		118	56	69	93
	76.1 x 22	RT7622		115	59	55	79
	76.1 x 28	RT7628		116	56	59	89
	76.1 x 35	RT7635		117	57	58	94
	76.1 x 42	RT7642		118	58	60	105
	76.1 x 54	RT7654		117	57	68	121
	88.9 x 18	RT8818		130	59.5	60	95
	88.9 x 22	RT8822		128	62	58	83
	88.9 x 28	RT8828		130	60	59.5	93.5
	88.9 x 35	RT8835		128	60	65	100
	88.9 x 42	RT8842		128	60	67	112
	88.9 x 54	RT8854		130	60	80	134
	88.9 x 76.1	RT8876		130	61	67	125
	108 x 18	RT10818		150	70	81	105.5
	108 x 22	RT10822		149	70.5	67	92.5
	108 x 28	RT10828		150	69	75	104
	108 x 35	RT10835		152	68	73	108.5
	108 x 42	RT10842		148	70	74	118.5
	108 x 54	RT10854		149	68	80	134
	108 x 76.1	RT10876		149	70	73	134
	108 x 88.9	RT10888		150	69	68	137



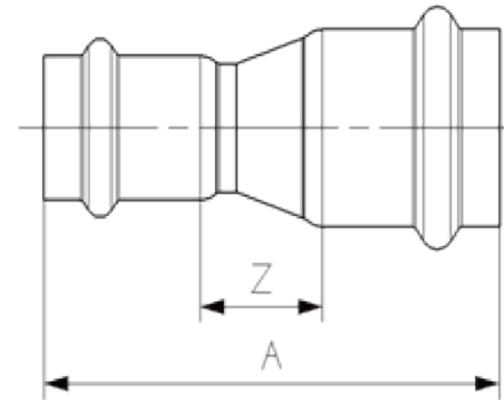
Type	DN(mm)	Model No.	Body Marking	A (mm)	Z(1) (mm)	Z2 (mm)	B (mm)
Female Tee	15 x 1/2"	TF1512	TESS(DN) x (Inch)SS316L	38	18.5		33.5
	18 x 1/2"	TF1812		39.95	16.52		33.85
	22 x 1/2"	TF2212		46.2	20.45		35.15
	22 x 3/4"	TF2234		45.55	22.3		39.4
	28 x 1/2"	TF2812		55.9	26.85		37.45
	28 x 3/4"	TF2834		55.75	27.25		42.6
	28 x 1"	TF281		55	28.3		41
	35 x 1/2"	TF3512		67	31		39.5
	35 x 3/4"	TF3534		67.35	32.25		44.54
	35 x 1"	TF351		66.7	32.85		42.15
	35 x 1-1/4"	TF35114		66.55	32.85		51
	42 x 1/2"	TF4212		85	39		44.5
	42 x 3/4"	TF4234		85	39		50
	42 x 1"	TF421		84	40		46
	42 x 1-1/4"	TF42114		85	39		55
	42 x 1-1/2"	TF42112		83	39		57
	54 x 1/2"	TF5412		97	44		58
	54 x 3/4"	TF5434		96	45		56
	54 x 1"	TF541		97	45		54
	54 x 1-1/2"	TF54112		97	43		60
	54 x 2"	TF542		96	45		68
	76.1x 3/4"	TF7634		119	56		67
	76.1x 1"	TF761		119	58		63
	76.1x 2"	TF762		115	58		78.5
	88.9 x 3/4"	TF8834		129	61		69
	88.9 x 1"	TF881		130	60		69
	88.9 x 2"	TF882		128	61		85
	108 x 3/4"	TF10834		149	70		79
108 x 2"	TF1082	149	70		95		



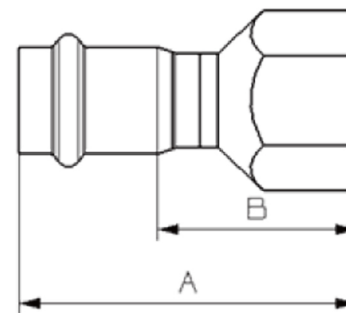
Type	DN(mm)	Model No.	Body Marking	A (mm)	Z(1) (mm)	Z2 (mm)	B (mm)
Male Tee	15 x 1/2"	TM1512	TESS(DN) x (Inch)SS316L	40	18.5		36.5
	18 x 1/2"	TM1812		39.7	17.75		39.35
	22 x 1/2"	TM2212		46.65	21.2		40.15
	22 x 3/4"	TM2234		45.5	18.5		40
	28 x 1/2"	TM2812		55.5	25.5		42
	28 x 3/4"	TM2834		56.35	28.34		44
	28 x 1"	TM281		55.35	28.05		46.85
	35 x 1/2"	TM3512		67.5	31		47
	35 x 3/4"	TM3534		66.65	32.4		47.05
	35 x 1"	TM351		67	30		49.5
	35 x 1-1/4"	TM35114		66.5	31.5		54
	42 x 1/2"	TM4212		83	39		49
	42 x 3/4"	TM4234		83.7	38.11		48.31
	42 x 1"	TM421		82.93	40		53
	42 x 1-1/4"	TM42114		84.15	39.85		56
	42 x 1-1/2"	TM42112		83.1	40.15		60.8
	54 x 1/2"	TM5412		99.5	45.5		58
	54 x 3/4"	TM5434		99.5	46		54.5
	54 x 1"	TM541		97	45		58
	54 x 1-1/4"	TM54114		96.5	45.5		63
	54 x 1-1/2"	TM54112		97	45		66.5
	54 x 2"	TM542		98	45.5		71
76.1 x 1-1/4"	TM76114	118	58		74		
108 x 3/4"	TM10834	152	69		105		
108 x 1-1/4"	TM108114	152	70		96		



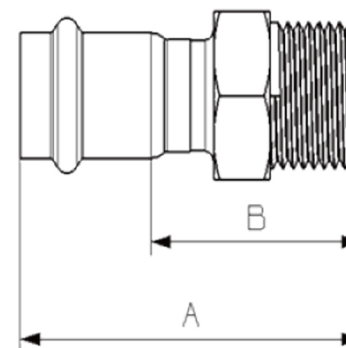
Type	DN(mm)	Model No.	Body Marking	A (mm)	Z(1) (mm)	Z2 (mm)	B (mm)
Reducer	18 x 15	R1815	TESS(DN) x (DN)SS316L	63.5	10		
	22 x 15	R2215		64	19		
	28 x 15	R2815		65.5	11		
	28 x 18	R2818		82	29		
	28 x 22	R2822		74	19		
	35 x 15	R3515		70	25		
	35 x 18	R3518		96	36		
	35 x 22	R3522		94	35		
	35 x 28	R3528		89	27.1		
	42 x 18	R4218		113.8	45.5		
	42 x 22	R4222		115	41		
	42 x 28	R4228		108.5	34.51		
	42 x 35	R4235		107	25		
	54 x 18	R5418		124	46		
	54 x 22	R5422		124	49		
	54 x 28	R5428		126	44		
	54 x 35	R5435		133	44		
	54 x 42	R5442		137	39		
	76.1 x 18	R7618		146	63.5		
	76.1 x 22	R7622		137	55		
	76.1 x 28	R7628		138	47		
	76.1 x 35	R7635		138	46		
	76.1 x 42	R7642		151	48		
	76.1 x 54	R7654		158	46		
	88.9 x 18	R8818		151	63		
	88.9 x 22	R8822		143	51		
	88.9 x 28	R8828		144	46		
	88.9 x 35	R8835		145	43		
	88.9 x 42	R8842		156	47		
	88.9 x 54	R8854		164	44		
	88.9 x 76.1	R8876		172	47		
	108 x 18	R10818		172	72		
	108 x 22	R10822		160	55		
	108 x 28	R10828		163	48		
	108 x 35	R10835		164	51		
	108 x 42	R10842		173	48		
	108 x 54	R10854		180	46		
	108 x 76.1	R10876		186	46		
	108 x 88.9	R10888		190	41		



Type	DN(mm)	Model No.	Body Marking	A (mm)	Z(1) (mm)	Z2 (mm)	B (mm)
Female Coupler	18 x 1/2"	ASF1812	TESS(DN) x (Inch)SS316L	49			26
	22 x 1/2"	ASF2212		49.6			25.9
	28 x 1/2"	ASF2812		65			35
	28 x 3/4"	ASF2834		64			33.5
	35 x 1/2"	ASF3512		76.8			41
	35 x 3/4"	ASF3534		76			41.5
	35 x 1"	ASF351		71			37
	42 x 1/2"	ASF4212		100.5			55
	42 x 3/4"	ASF4234		105			60
	42 x 1"	ASF421		92			46
	42 x 1-1/4"	ASF42114		81			37
	54 x 1/2"	ASF5412		116			62
	54 x 3/4"	ASF5434		120			67
	54 x 1"	ASF541		112			58
	54 x 1-1/4"	ASF54114		109			55
	54 x 1-1/2"	ASF54112		113			61



Type	DN(mm)	Model No.	Body Marking	A (mm)	Z(1) (mm)	Z2 (mm)	B (mm)
Male Coupler	18 x 1/2"	ASM1812	TESS(DN) x (Inch)SS316L	57			31.8
	22 x 1/2"	ASM2212		55			34.1
	28 x 1/2"	ASM2812		70			41
	28 x 3/4"	ASM2834		69.1			41
	35 x 1/2"	ASM3512		88			52
	35 x 3/4"	ASM3534		86.5			53
	35 x 1"	ASM351		78			44
	42 x 1/2"	ASM4212		107.5			64
	42 x 3/4"	ASM4234		105.5			63
	42 x 1"	ASM421		96.5			53
	42 x 1-1/4"	ASM42114		88.8			43.99
	54 x 1/2"	ASM5412		121			70
	54 x 3/4"	ASM5434		120			69
	54 x 1"	ASM541		117			65
	54 x 1-1/4"	ASM54114		117.5			65
	54 x 1-1/2"	ASM54112		119.5			67



TESS[®]

Stainless Steel Piping Solution

Tachibana Engineering (HK) Ltd.

Add: Unit C, 6/F, Reason Group Tower, 403 Castle Peak Road,
Kwai Chung, N.T., Hong Kong

Tel: 2403 4898

WhatsApp: 9318 1388

Fax: 2403 4000

E-mail: info@te.com.hk